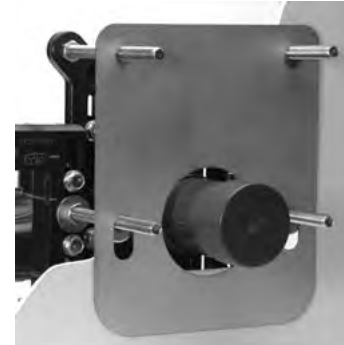


**⌚ Z1201-N EZCARRY® ADJUSTABLE HORIZONTAL HIGH PERFORMANCE SIPHON JET – NO-HUB SERIES**

Product Number	Dimensions in inches [mm]				Approximate Weight lb [kg]
	A	B	K	N	
Z1201-NL3	3 [76]	11-1/2 [292]	4-7/16 [113]	7-3/8 [187]	55 [25]
Z1201-NR3				9-3/4 [248]	101 [46]
Z1201-ND3					
Z1201-NL4	4 [102]	12-1/4 [311]	4-1/8 [105]	8-13/16 [224]	58 [26]
Z1201-NR4					
Z1201-ND4					

PREFIXES	DESCRIPTION	SINGLE	DOUBLE
Z1201*	D.C.C.I. System with 4" Adjustable Coupling	<b>Combine with Fitting Type for Pricing</b>	
ZQ1201	D.C.C.I. System with NPT Faceplate Non-Adjustable Coupling		
FITTING TYPE			
-NL3	3" No-Hub Left-Hand Inlet with Flow to Right	1,448.00	-
-NR3	3" No-Hub Right-Hand Inlet with Flow to Left	1,448.00	-
-ND3	3" No-Hub Back-to-Back Inlet (Double)	-	2,671.00
-NL4	4" No-Hub Left-Hand Inlet with Flow to Right	1,584.00	-
-NR4	4" No-Hub Right-Hand Inlet with Flow to Left	1,584.00	-
-ND4	4" No-Hub Back-to-Back Inlet (Double)	-	2,965.00
SUFFIXES		ADD	
-A	Auxiliary Support Assembly (Required For 'P' Dim. Greater than 18")	861.00	1,720.00
-CC	Corrosion Resistant Cast Iron Coupling (2-1/4" to 12")	N/C	N/C
⌚ -CE	EZ-SET™ Coupling (6" or 12" standard length) Custom length greater than 12" - Per Inch (Specify Length)	75.00 102.00	150.00 203.00
-CL	Custom Length Standard Coupling with Integral Test Cap (Specify Length 4", 8", 10" or 12")	N/C	N/C
⌚ -CS	2-1/4" Polymer Coupling with Integral Test Cap	N/C	N/C
-G	Galvanized Cast Iron	817.00	1,633.00
-JC	2" Auxiliary Inlet with 1/8" Bend (1NL4, 1NR4 Only)	365.00	-
-M	Auxiliary Foot Support (Required For 'P' Dim. 7" - 18")	324.00	645.00
⌚ -RYK17	One Piece Unistrut Pre-Fab Foot Support	N/C	N/C
-VP	Vandal-Proof Trim	137.00	270.00
⌚ -45	Finishing Frame for Siphon Jet System	84.00	167.00
⌚ -50	Flush Valve Supply Support for Water Closet	90.00	176.00
		DEDUCT	
-F	Floor Mounted, Back Outlet Fixture Support	-158.00	-315.00
BEST SELLERS		LIST PRICE	
Z1201-ND4		2,965.00	
Z1201-ND4-CL=12		2,965.00	
Z1201-NL3		1,448.00	
Z1201-NL4		1,584.00	
Z1201-NL4-CL=12		1,584.00	
Z1201-NR4		1,584.00	
Z1201-NR4-CL=12		1,584.00	
ZQ1201-ND4-45-50		3,308.00	
ZQ1201-NR4-45-50		1,758.00	



⌚ Z1200-EZCUTGUIDE†

\*Image showing old style carrier



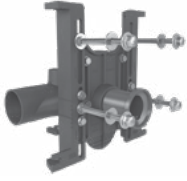
Z1200-CPLGWRNCH-3

Items designated as Best Sellers are most specified and are generally in stock for shipment.  
 ⌚ This symbol denotes a product that is engineered to reduce installation and rework time.  
 For Additional System Tools See "Z1200 Carrier Tools and Accessories" on page 214

\*Regularly furnished unless otherwise specified.  
 For additional product information, please visit [www.zurn.com](http://www.zurn.com)

INTRO  
 ROOF DRAINS  
 FLOOR DRAINS  
 T, P, BW VALVES  
 INTERCEPTORS  
 CARRIERS  
 HYDRANTS  
 CLEANOUTS  
 W/HA  
 SS DRAINS  
 FAB SS DRAINS  
 SANI-FLOOR  
 TECH INFO

# Ⓢ Z1201-N EZCARRY® ADJUSTABLE HORIZONTAL HIGH PERFORMANCE SIPHON JET – NO-HUB SERIES



## ENGINEERING SPECIFICATION

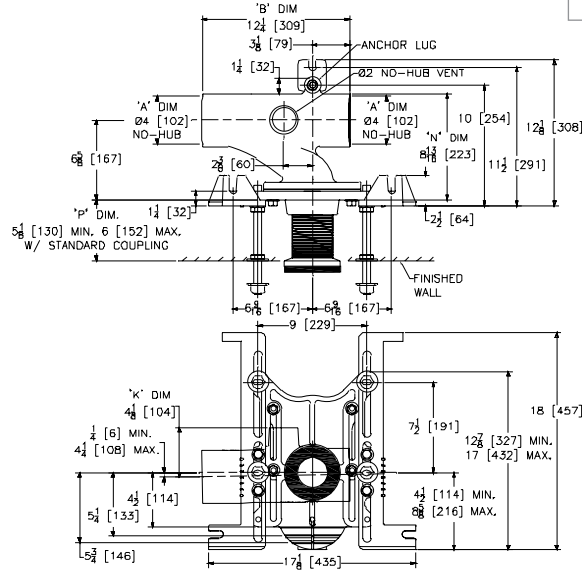
Zurn Z1201-N( ) EZCarry® horizontal siphon jet water closet carrier system features high performance waterway and ( ) no-hub connections. System includes Dura-Coated cast iron right-hand, left-hand, or double main fitting with hydro-mechanically optimized sweep and extended 2" vent, adjustable gasketed faceplate, floor mounted pre-fab slotted foot supports with top anchoring pre-fab support base, heavy-duty 1/2" rear anchor tie down, fixture bolts, trim, stud protectors, bonded Neo-Seal gasket, and corrosion resistant adjustable 3" diameter x 6" coupling with integral test cap designed to increase flow velocity and line carry. EZCarry system complies with the requirements of ASME A112.6.1M, up to a 500 lb static load rate.

Patented

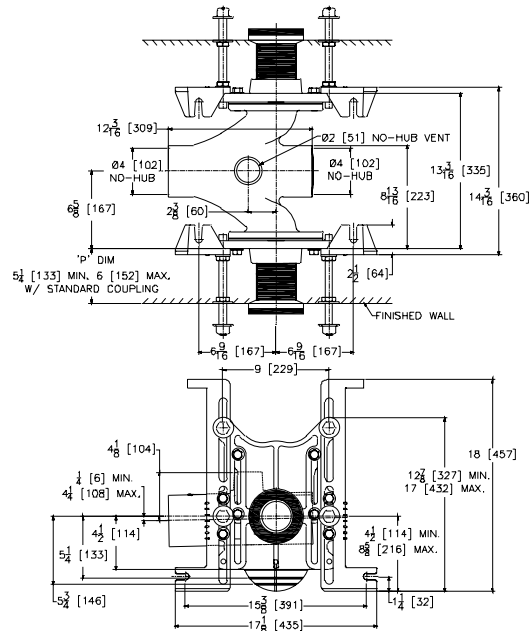
## NOTES

1. Cut 4" adjustable coupling minimum "P" dimension obtainable = 2". EZ-Set™ coupling, minimum "P" dimension obtainable = 4-1/4" or 2-1/16" for 12" NPT.
2. Feet bolted to floor using minimum 1/2" diameter anchors and back slots on carrier feet.
3. Rear anchor foot required for secure installation.

Z1201-NR4 (Single)



Z1201-ND4 (Double)



\*Regularly furnished unless otherwise specified.

For additional product information, please visit [www.zurn.com](http://www.zurn.com)

Items designated as Best Sellers are most specified and are generally in stock for shipment.

Ⓢ This symbol denotes a product that is engineered to reduce installation and rework time.

For Additional System Tools See "Z1200 Carrier Tools and Accessories" on page 214